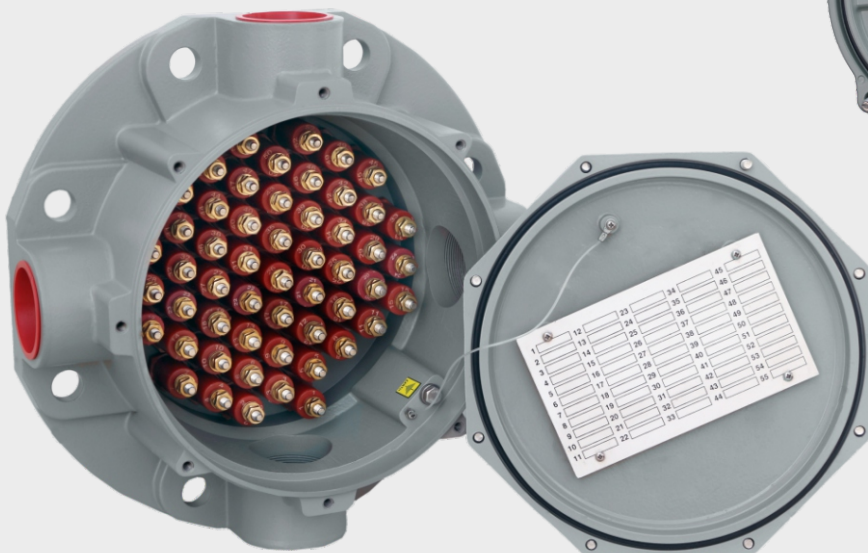
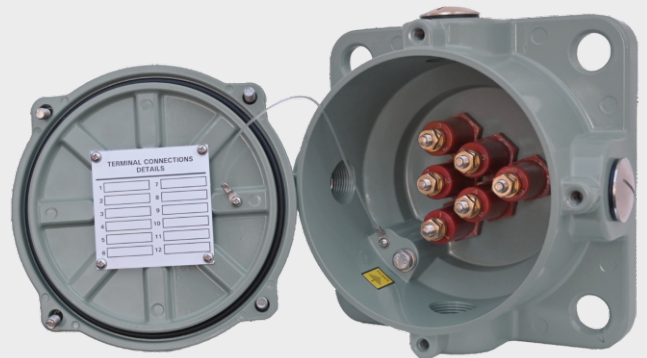
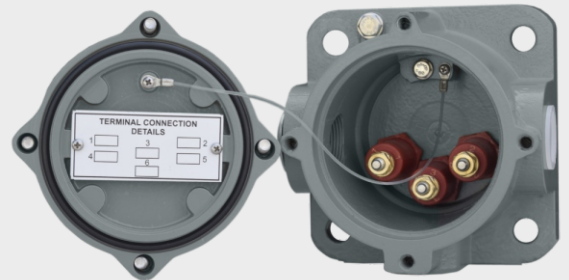
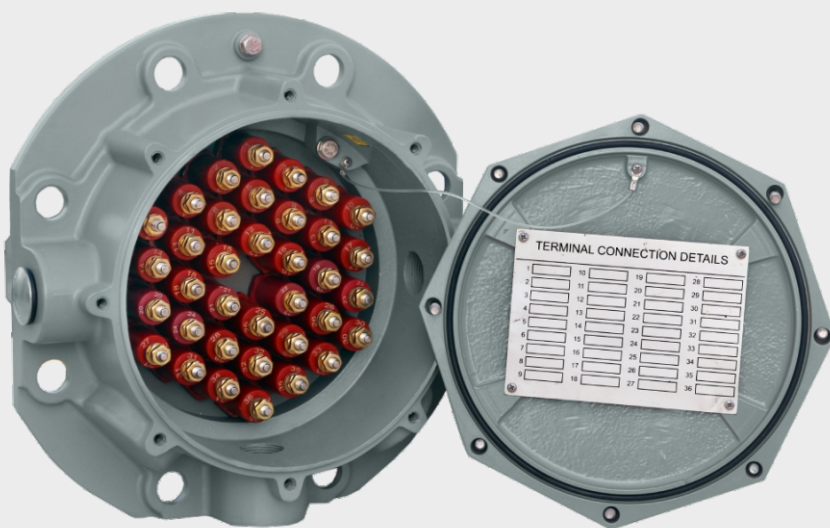


CT TERMINAL BOX

FOR OIL FILLED TRANSFORMERS



SUKRUT[®]

Global technology for local needs

www.sukrutelectric.com



TECHNICAL INFORMATION

1.0 GENERAL FEATURES :

- Die cast aluminium body & cover assures the assembly is rust proof, compact, lightweight and easy to handle.
- Different sizes of terminal boxes are available & are easy to install at site.
- Terminal boxes are available from 3 to 53 terminals.
- Replacement of any terminal is possible at site.
- For fixing cable gland of external circuit 2 to 5 exits are available.
- The terminals allow the connections between wiring inside and outside the transformer tank and are designed in such way to avoid unscrew during assembly or wiring operation & allow an easy connection between external and internal measuring circuits of the transformer tank.
- Ingress protection : Withstands IP-67.
- Corrosion resistance : Available in C4-M & C5-M.
- Working temperature : Standard -10° to 115°C & -40° to 120°C can be provided upon request.
- Suitable for outdoor application.

2.0 APPLICATION :

Terminal box is very useful for connecting internal circuits with external circuits in an oil filled transformer.

3.0 CONSTRUCTION :

An aluminium base is used for housing terminals. A sealing gasket is provided with suitable groove in the base to make the installation leak proof.

Each terminal is provided with unique cap which restrict the axial movement of terminal. It is possible to replace any terminal thus, any housing can be used by just replacing faulty terminal.

An aluminum cover is provided for the main body. The cover is provided with sealing gasket for making the terminal box leak proof. A nylon lid links the terminal box cover and housing to avoid any mistake during wiring operation.

4.0 FAULTS & REMEDIES :

For any fault, other than replacement of terminal, the terminal box should be returned to Sukrut Electric Co. Pvt. Ltd. for repairs.

5.0 ROUTINE TESTS :

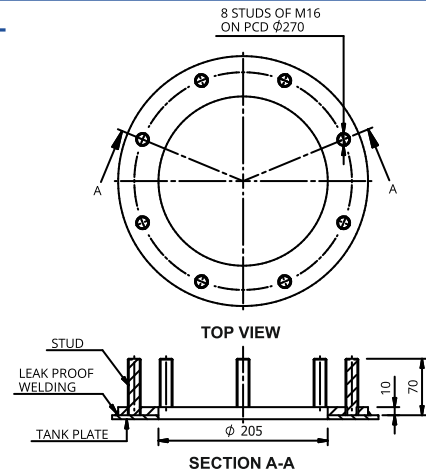
- **Leakage Test** : At 2.5 kg/cm² for 1 min for body before assembly & at 2.5 kg/cm² for 1 min terminal box after assembly.
- **Dielectric Test** : At 2.5 kV for 1 minute between terminal to terminal and terminal and body.
- **Visual Inspection** : 100% visual inspection is done before and after assembly.

6.0 TYPE TESTS :

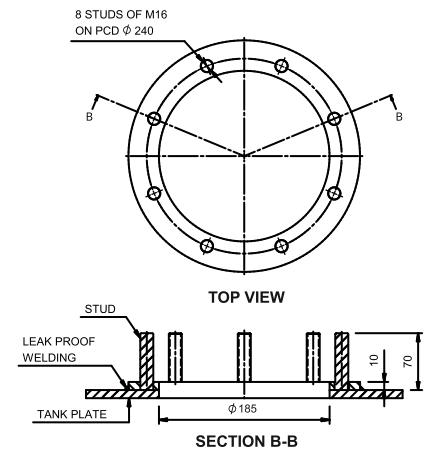
1. Ingress protection : IP-67.
2. Die-Electric test : 2.5 kV AC for 1 min.
3. Insulation resistance test : 1 kV DC for 1min.
4. Breakdown strength test : High voltage AC 50Hz RMS.
5. Current carrying capacity test.

MOUNTING PAD DETAILS

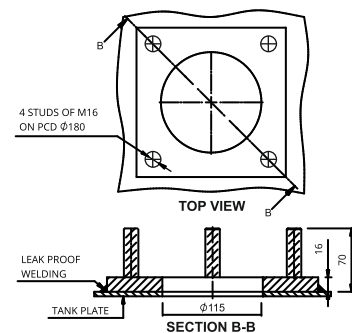
SM2-XL



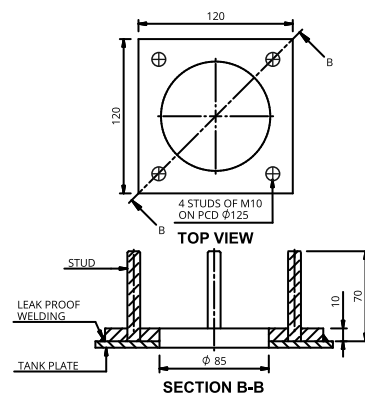
SM2-L



SM3-S



SM2-XS

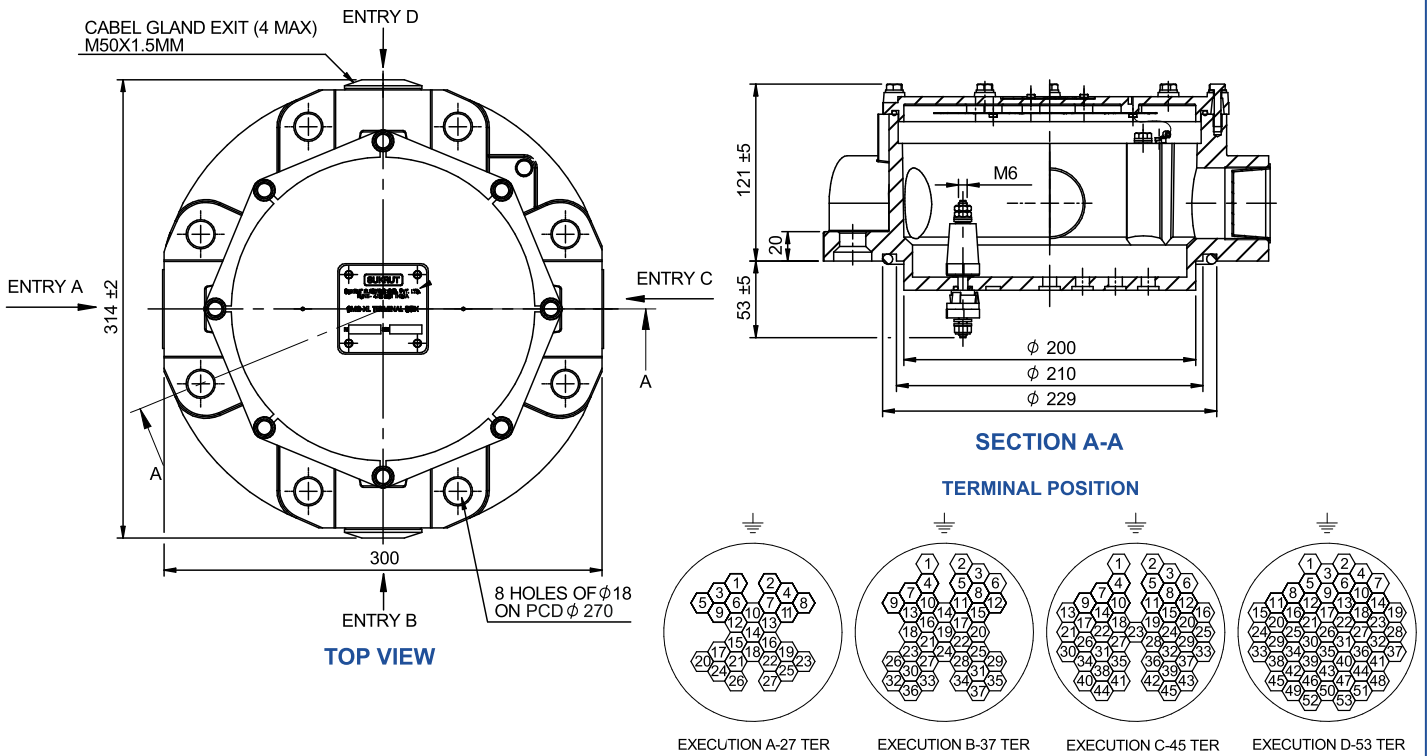


NOTE: Mounting pads are shown for reference only & are not supplied by Sukrut.

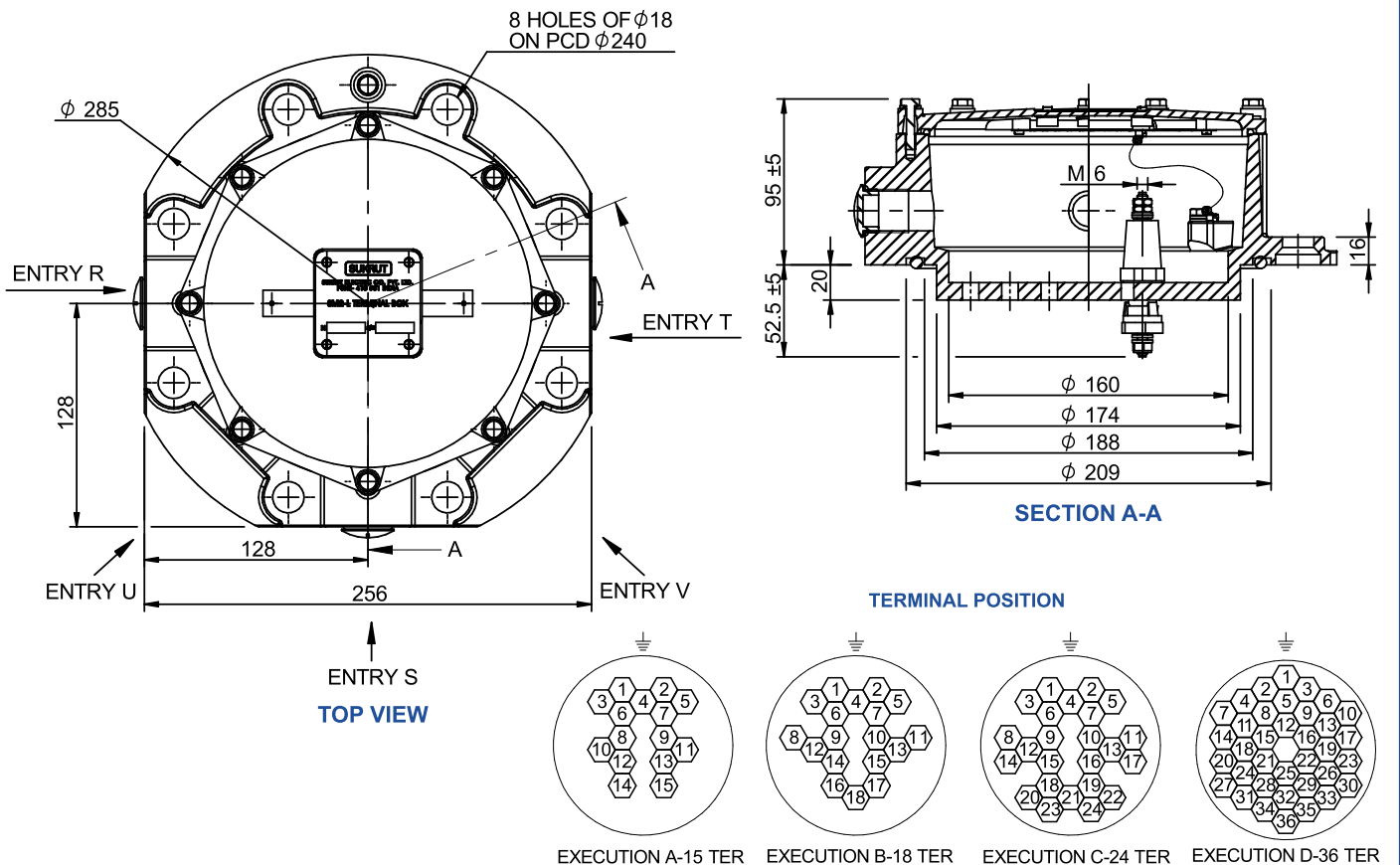


CT TERMINAL BOX MODELS

MODEL : SM2-XL

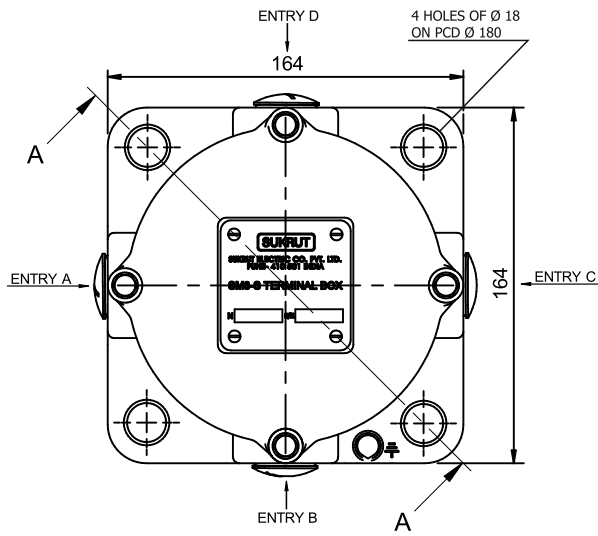


MODEL : SM2-L

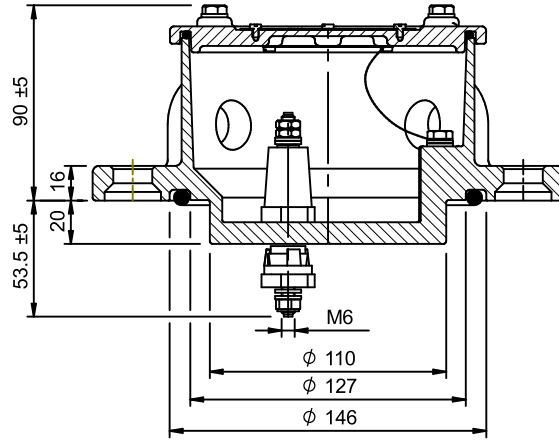


CT TERMINAL BOX MODELS

MODEL : SM3-S

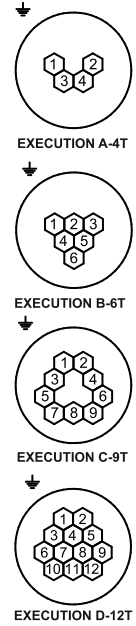


TOP VIEW

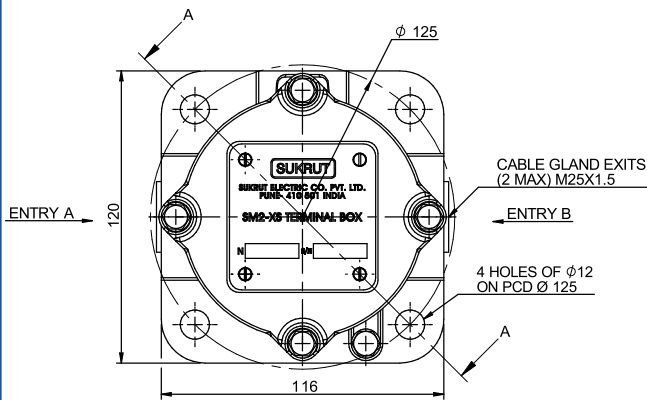


SECTION A-A

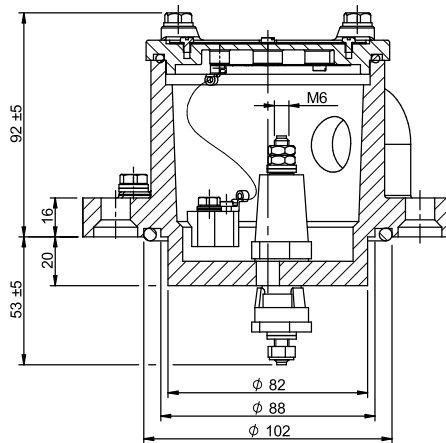
TERMINAL POSITION



MODEL : SM2-XS

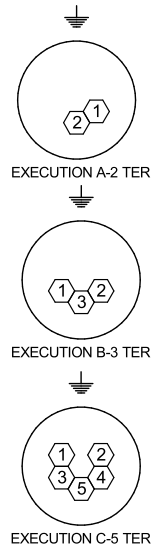


TOP VIEW



SECTION A-A

TERMINAL POSITION



GENERAL NOTES :

1. All dimensions except mountings are shown for reference only.
2. Mounting pad is shown for reference only.
3. Actual dimensions should be determined by the customer.



SUKRUT ELECTRIC CO. PVT. LTD.

Plot No. Pap-B-63, MIDC Chakan Industrial Area Phase - II, Village Bhamboli, Taluka Khed District Pune 410 501, Maharashtra, India.

Mobile : +91 75077 78841 / 75077 78842

Email : marketing@sukrutelectric.com

Web : www.sukrutelectric.com

